



Ordos Technologies

EMC & Safety Test Laboratory

---

Test Report No. **Y5VAR300**

**FOR:**

**Company Name** : Vest tech USA LLC

**Equipment Under Test:** Sport armband.

**November 2015**

Total number of pages (including this page): 10



**Table of Contents.**

	<b>Description</b>	<b>Page</b>
1.	<b><u>General Information</u></b> .....	3
2.	<b><u>EUT. Performance Verification</u></b> .....	4
2.1.	<b><u>Product Description</u></b> .....	4
2.2.	<b><u>Tested Configuration</u></b> .....	4
2.3.	<b><u>List of Equipment used in the tests</u></b> .....	5
3.	<b><u>The global proliferation of wireless radiation is accelerating at an alarming speed</u></b> .....	5
4.	<b><u>Sport armband Radiation attenuation test procedure</u></b> .....	6
5.	<b><u>Test procedure pictures</u></b> .....	7
6.	<b><u>Description of the Test Site</u></b> .....	7
7.	<b><u>List of Equipment used in Test</u></b> .....	8
8.	<b><u>Test results</u></b> .....	9
9.	<b><u>Conclusion</u></b> .....	10



## 1. General Information.

<b>Applicant:</b>	<b>Vest tech USA LLC</b>
<b>Applicant Address:</b>	32320 Polaris Ave-Suite 20-21 Las-Vegas NV 89102, USA
<b>Telephone:</b>	<b>+1-800-720-9821</b>
<b>E-mail:</b>	contact@vesttech.com
<b>The testing was observed by the following applicant's personnel:</b>	Mr. Geva Segal
<b>Dates of testing:</b>	November 2015
<b>Test Laboratory Location:</b>	<b>SaYdos Ltd / ORDOS Technologies,</b> 10 Zarhin St. Ra'anana Israel, P.O.B 2212
<b>E-Mail:</b>	<a href="mailto:info@ordos.co.il">info@ordos.co.il</a>
<b>Web:</b>	<a href="http://www.ordos.co.il">www.ordos.co.il</a>
<b>Equipment Under Test (EUT):</b>	Sport armband
<b>S/N:</b>	VST119003

## **2. EUT. Performance Verification**

### **2.1. Product Description.**

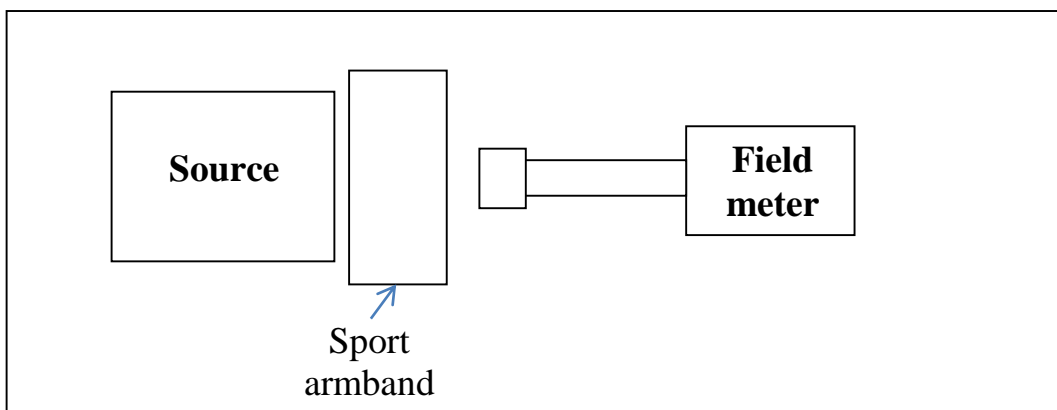
Using a sport armband for hands-free use of the phone while engaging in a sport activity positions the phone in great proximity to the user's skin, in the arm area, or any other body part where the armband is located. Such proximity of an electromagnetic radiation emitting device to the body is considered potentially dangerous.

This product is designed to serve as a hands-free smartphone case protecting the user from electromagnetic radiation emitted from the phone while engaging in a sport activity such as running, walking and more.

The adjustable scotch band allows wearing the product comfortably on the arm while placing the smartphone inside the product, thus enjoying safe hands-free listening to music, talking on the phone, or any other use of the phone features, while exercising.

The products is available is two sizes, together covering the needed fit for all smartphone models.

### **2.2. Tested Configuration.**



### **2.3. List of Equipment used in the tests**

No	Description	Model	S.N.	Manufactured by:
Unit Under Test				
1.	EUT	Sport armband	VST119003	vest tech USA LLC

### **3. The global proliferation of wireless radiation is accelerating at an alarming speed.**

There are growing evidences of health risks from exposure.

Every second of the day, we're constantly bombarded with electromagnetic waves such as those emitted from overhead cables, mobile phones, Laptop ovens, wireless devices, computers exc. The list is endless.

Hardly a month goes by these days without a new study revealing that smart phones are either A) ruining your life, or B) not. The scientific debate is heated, and far from resolved, but one thing is clear: by surrounding yourself with wireless devices with no protection, you November actually be playing Russian roulette with your life.

Every year 10,000 new cases of Glioma are diagnosed in the USA and heavy cell phone users show a 40% increased risk of developing that tumor.

Children are much more susceptible to EMF radiation Research shows that radiation penetrates more deeply into a child's head due to their thinner skulls. In fact, it was found that a child's growing body November absorb up to 10 times the radiation an adult's body absorbs.

Pregnant women are at greater risk - exposure to electromagnetic fields in uterus is correlated with health problems such as ADHD, emotional problems, asthma, obesity and possibly Autism Spectrum Disorders.

So as males who are interested in having kids sometime - Research has shown that cell phone radiation-exposed human sperm die three times faster, swim significantly more poorly, become more deformed, and develop significantly more damage to their DNA.

Countries around the world, as well as the European Parliament, are starting to set stricter EMF safety limits and advising limits and advise limiting radiation exposure for children, pregnant women, the elderly and people with compromised immune systems.

#### **4. Sport armband Radiation attenuation test procedure**

The procedure was determined in accordance with client request

##### **4.1. Home environment frequencies:**

- 4.1.1. Establishing test frequencies, in accordance with the Sport armband purpose.
- 4.1.2. Measure Electro-magnetic field strength in each test frequency.
- 4.1.3. Placing the Sport armband on its intended place.
- 4.1.4. Measure Electro-magnetic field strength in each test frequency.

##### **4.2. Cellphone radiation**

- 4.2.1. Measure Electro-magnetic field strength on Cellphone.
- 4.2.2. Placing the Sport armband on its intended place.
- 4.2.3. Measure Electro-magnetic field strength on Cellphone.

## 5. Test procedure pictures

### 5.1. Pic #1 – test 4.1 without the Sport armband



### 5.2. Pic #2 – test 4.1 with The Sport armband



### 5.3. Pic #3 – test 4.2 with The Sport armband



## 6. Description of the Test Site.

Location:		10 Zarchin St. Ra'anana
Phone:		(972)-9-7711018
Fax:		(972)-9-7711019
E-Mail:		info@ordos.co.il
Open Site Ranges:		3 and 10 meter
Turntable:		2.1 x 1.6 meter with maximum loading 1500kg, distant actuation. The turntable and the tested equipment are environmentally protected.
Antenna Mast:		1 to 4 meter
Supply Voltages:		220VAC, 3 Phases, 16A from each phase; 110VAC, 3 Phases, 32A from each phase; up to 50VDC, 30A max
Shielded room:		6.2 X 4.5 X 2.5m semi-anechoic shielded room, including indoor turntable.

## 7. List of Equipment used in Test.

No.	Description	Manufacturer and Model Number	Series No.	Cal. Date
1.	Electro-magnetic Field meter	Chauvin-Arnoux C.A 43	US4111027	31.08.16





**8. Test results.**

	Frequency			
	900 MHz	1.8 GHz	2.4 GHz	3.6 GHz
<b>No Cover</b>	134 V/M	183 V/M	109 V/M	88 V/M
<b>With the Sport armband</b>	1.5 V/M	1.8 V/M	0.6 V/M	0.6 V/M
<b>Attenuation</b>	99%	99%	100%	99%

	Frequency			
	4 GHz	4.9 GHz	5 GHz	5.9 GHz
<b>No Cover</b>	68 V/M	73.2 V/M	71.5 V/M	72 V/M
<b>With the Sport armband</b>	0.8 V/M	0.5 V/M	0.2 V/M	0.1 V/M
<b>Attenuation</b>	99%	99%	100%	100%

	<u>Cellular</u>
<b>No Cover</b>	15.5 V/M
<b>With the Sport armband</b>	1.8 V/M
<b>Attenuation</b>	89%



## **9. Conclusion.**

- 9.1.** The electro-magnetic field strength attenuation of the Sport armband is up to 100%.
- 9.2.** The Attenuation level for every frequency tested is at least 99%.
- 9.3.** The Standard radiation limit for Home environment is 3 V/M, The Sport armband attenuation is always lower than the limit.
- 9.4.** The Cellular radiation attenuation of the Sport armband is up to 89%.