



Ordos Technologies

EMC & Safety Test Laboratory

Test Report No. **Y4VAR226**

FOR:

Company Name : Vest tech UAS LLC

Equipment Under Test: Microwave radiation Blocker.

August 2014

Total number of pages (including this page): 11

Table of Contents.

	Description	Page
1.	<u>General Information</u>	3
2.	<u>EUT. Performance Verification</u>	4
2.1.	<u>Product Description</u>	4
2.2.	<u>Tested Configuration</u>	4
2.3.	<u>List of Equipment used in the tests</u>	4
3.	<u>The global proliferation of wireless radiation is accelerating at an alarming speed</u>	5
4.	<u>Microwave Radiation test procedure</u>	6
5.	<u>Test procedure pictures</u>	6
6.	<u>Description of the Test Site</u>	7
7.	<u>List of Equipment used in Test</u>	7
8.	<u>Test results</u>	8
8.1.	<u>Electro-Magnetic test - Without the Microwave radiation Blocker</u> :.....	8
8.2.	<u>Electro-Magnetic test - With the Microwave radiation Blocker</u> :.....	8
8.3.	<u>Magnetic test - Without the Microwave radiation Blocker</u> :.....	9
8.4.	<u>Magnetic test - With the Microwave radiation Blocker</u> :.....	9
9.	<u>Conclusion</u>	10
	<u>Appendix A - FCC approval</u>	11

1. General Information.

Applicant:	Vest tech UAS LLC
Applicant Address:	32320 Polaris Ave-Suite 20-21 Las-Vegas NV 89102, USA
Telephone:	+1-800-720-9821
E-mail:	contact@vesttech.com
The testing was observed by the following applicant's personnel:	Mr. Nir cohen
Dates of testing:	August 2014
Test Laboratory Location:	SaYdos Ltd / ORDOS Technologies, 10 Zarhin St. Ra'anana Israel, P.O.B 2212
E-Mail:	info@ordos.co.il
Web:	www.ordos.co.il
Equipment Under Test (EUT):	Microwave radiation Blocker
S/N:	738759931381

2. EUT. Performance Verification

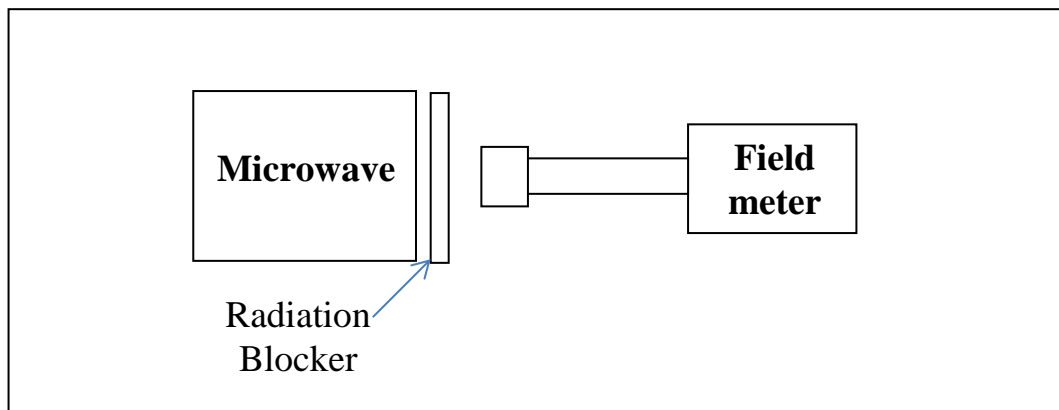
2.1. Product Description.

vestMicroShield, a revolutionary anti-radiation blocker for your microwaves.

Product Features:

- Revolutionary anti-radiation technology keeps the radiation in the microwave and away from users
- Light and practical
- Innovate accessory easily attaches to any microwave for a quick installation

2.2. Tested Configuration.



2.3. List of Equipment used in the tests

No	Description	Model	S.N.	Manufactured by:
Unit Under Test				
1.	EUT	Microwave radiation Blocker	738759931381	vest tech UAS LLC

3. The global proliferation of wireless radiation is accelerating at an alarming speed.

There are growing evidences of health risks from exposure.

Every second of the day, we're constantly bombarded with electromagnetic waves such as those emitted from overhead cables, mobile phones, Laptop ovens, wireless devices, computers exc. The list is endless.

Hardly a month goes by these days without a new study revealing that smart phones are either A) ruining your life, or B) not. The scientific debate is heated, and far from resolved, but one thing is clear: by surrounding yourself with wireless devices with no protection, you may actually be playing Russian roulette with your life.

Every year 10,000 new cases of Glioma are diagnosed in the USA and heavy cell phone users show a 40% increased risk of developing that tumor.

Children are much more susceptible to EMF radiation Research shows that radiation penetrates more deeply into a child's head due to their thinner skulls. In fact, it was found that a child's growing body may absorb up to 10 times the radiation an adult's body absorbs.

Pregnant women are at greater risk - exposure to electromagnetic fields in uterus is correlated with health problems such as ADHD, emotional problems, asthma, obesity and possibly Autism Spectrum Disorders.

So as males who are interested in having kids sometime - Research has shown that cell phone radiation-exposed human sperm die three times faster, swim significantly more poorly, become more deformed, and develop significantly more damage to their DNA.

Countries around the world, as well as the European Parliament, are starting to set stricter EMF safety limits and advising limits and advise limiting radiation exposure for children, pregnant women, the elderly and people with compromised immune systems.

4. Microwave Radiation test procedure

The procedure was determined in accordance with client request

- 4.1. Establishing test points, in accordance with the Blocker device protection purpose.
- 4.2. Operating the device.
- 4.3. Measure Electro-magnetic field strength in each test point.
- 4.4. Measure magnetic field strength in each test point.
- 4.5. Placing the radiation protecting screen on its intended place.
- 4.6. Measure Electro-magnetic field strength in each test point.
- 4.7. Measure magnetic field strength in each test point.

5. Test procedure pictures

5.1. Pic #1 – test without Blocker



5.2. Pic #2 – test with Blocker



6. Description of the Test Site.

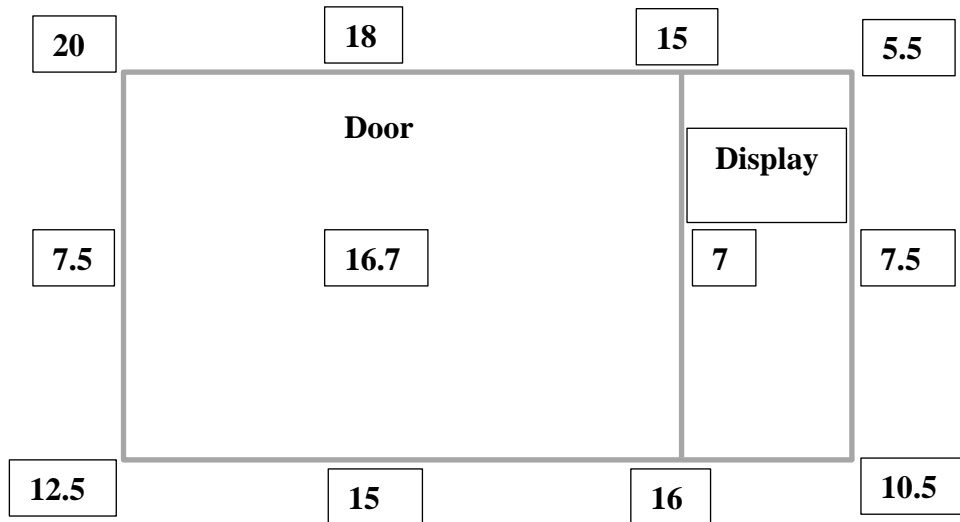
Location:		10 Zarchin St. Ra'anana
Phone:		(972)-9-7711018
Fax:		(972)-9-7711019
E-Mail:		info@ordos.co.il
Open Site Ranges:		3 and 10 meter
Turntable:		2.1 x 1.6 meter with maximum loading 1500kg, distant actuation. The turntable and the tested equipment are environmentally protected.
Antenna Mast:		1 to 4 meter
Supply Voltages:		220VAC, 3 Phases, 16A from each phase; 110VAC, 3 Phases, 32A from each phase; up to 50VDC, 30A max
Shielded room:		6.2 X 4.5 X 2.5m semi-anechoic shielded room, including indoor turntable.

7. List of Equipment used in Test.

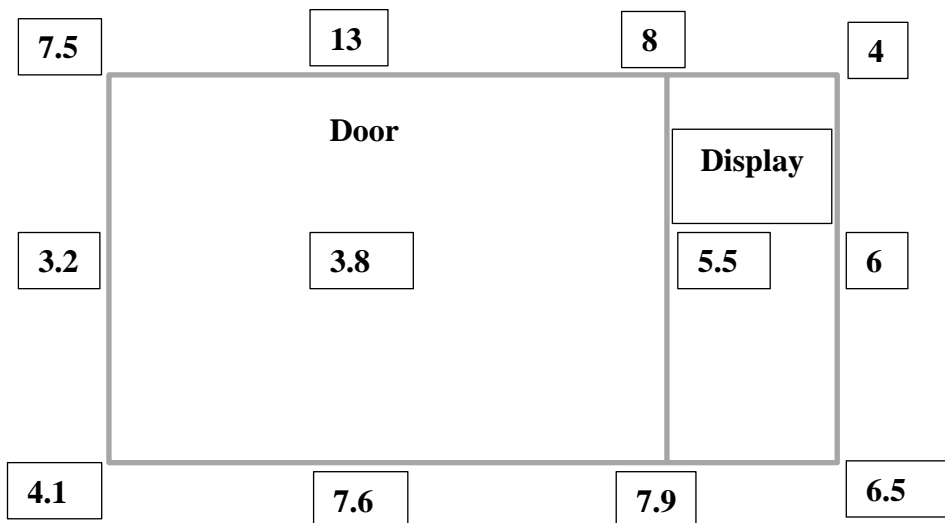
No.	Description	Manufacturer and Model Number	Series No.	Cal. Date
1.	Electro-magnetic Field meter	Chauvin-Arnoux C.A 43	US4111027	30.11.14
2.	Magnetic Field meter	UHS	MFM5003	30.11.14

8. Test results.

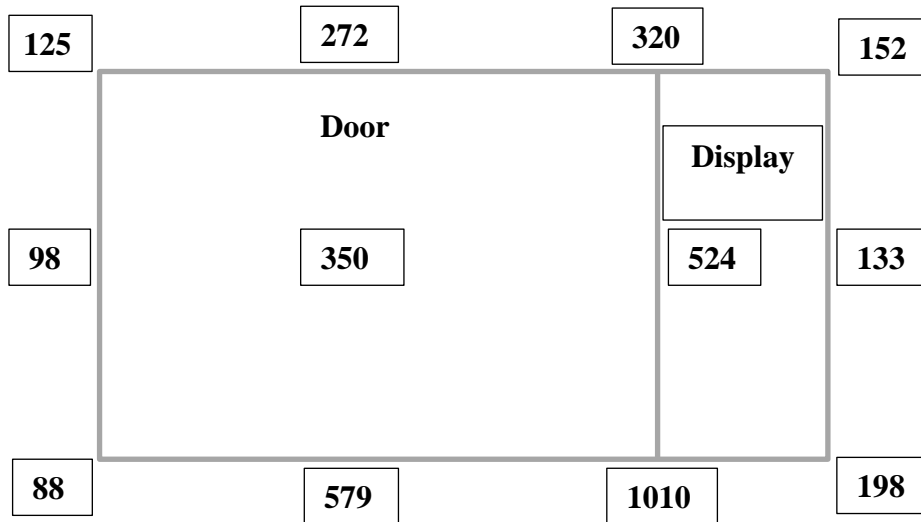
8.1. Electro-Magnetic test - Without the Microwave radiation Blocker:



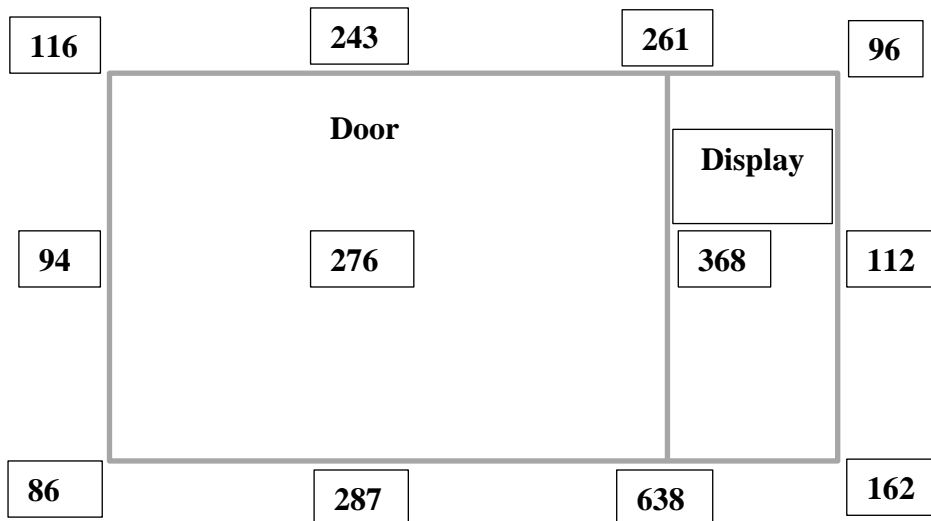
8.2. Electro-Magnetic test - With the Microwave radiation Blocker:



8.3. Magnetic test - Without the Microwave radiation Blocker:



8.4. Magnetic test - With the Microwave radiation Blocker:



9. Conclusion.

- 9.1.** The Microwave radiation screen Blocker can reduce radiation by up to 78%

- 9.2.** The area with the highest radiation emitted is the lower front of the microwave door. The best reduction of the protector is also in that area.

Appendix A – FCC approval

FEDERAL COMMUNICATIONS COMMISSION

**Laboratory Division
7435 Oakland Mills Road
Columbia, MD 21046**

July 09, 2013

Registration Number: 853574

Ordos Technologies - Saydos Ltd.
10th zarhin st.,
,
Raanana, 43362
Israel

Attention: Yossef Ben-David

Re: Measurement facility located at Israel
3 meter and 10 meter outside area test site (OATS)
Date of Listing: July 09, 2013

Dear Sir or Madam:

Your request for registration of the subject measurement facility has been reviewed and found to be in compliance with the requirements of Section 2.948 of the FCC rules. The information has, therefore, been placed on file and the name of your organization added to the list of facilities whose measurement data will be accepted in conjunction with applications for Certification under Parts 15 or 18 of the Commission's Rules. Please note that the file must be updated for any changes made to the facility and the registration must be renewed at least every three years.

Please also note that this registration does not recognize the measurement facility as an accredited testing laboratory that is accepted to perform testing for products authorized under the Declaration of Conformity (DoC) process. In order to test products subject to DoC authorization process, a measurement facility must: (1) be accredited by an accreditation body recognized by the FCC to accredit testing laboratories in the country in which the testing laboratory is located and (2) be recognized by the FCC and appear on the FCC website that identifies testing laboratories recognized by the FCC as accredited.

Measurement facilities that have indicated that they are available to the public to perform measurement services on a fee basis may be found on the FCC website www.fcc.gov under E-Filing, OET Equipment Authorization Electronic Filing, Test Firms.

Sincerely,



Dave Galosky
Electronics Engineer