



Ordos Technologies

EMC & Safety Test Laboratory

---

Test Report No. **Y5VAR227**

**FOR:**

**Company Name : Vest tech USA LLC**

**Equipment Under Test: BellyBand.**

**May 2015**

Total number of pages (including this page): 10



**Table of Contents.**

	<b>Description</b>	<b>Page</b>
1.	<b><u>General Information</u></b> .....	3
2.	<b><u>EUT. Performance Verification</u></b> .....	4
2.1.	<b><u>Product Description</u></b> .....	4
2.2.	<b><u>Tested Configuration</u></b> .....	4
2.3.	<b><u>List of Equipment used in the tests</u></b> .....	5
3.	<b><u>The global proliferation of wireless radiation is accelerating at an alarming speed</u></b> .....	5
4.	<b><u>Bellyband Radiation attenuation test procedure</u></b> .....	6
5.	<b><u>Test procedure pictures</u></b> .....	7
6.	<b><u>Description of the Test Site</u></b> .....	7
7.	<b><u>List of Equipment used in Test</u></b> .....	9
8.	<b><u>Test results</u></b> .....	10
9.	<b><u>Conclusion</u></b> .....	11



## 1. General Information.

<b>Applicant:</b>	<b>Vest tech USA LLC</b>
<b>Applicant Address:</b>	32320 Polaris Ave-Suite 20-21 Las-Vegas NV 89102, USA
<b>Telephone:</b>	<b>+1-800-720-9821</b>
<b>E-mail:</b>	contact@vesttech.com
<b>The testing was observed by the following applicant's personnel:</b>	Mr. Chen Raizman
<b>Dates of testing:</b>	May 2015
<b>Test Laboratory Location:</b>	<b>SaYdos Ltd / ORDOS Technologies,</b> 10 Zarhin St. Ra'anana Israel, P.O.B 2212
<b>E-Mail:</b>	<a href="mailto:info@ordos.co.il">info@ordos.co.il</a>
<b>Web:</b>	<a href="http://www.ordos.co.il">www.ordos.co.il</a>
<b>Equipment Under Test (EUT):</b>	<b>BellyBand</b>
<b>S/N:</b>	vst118001-118099

## 2. EUT. Performance Verification

### 2.1. Product Description.

Protect your baby during pregnancy from everyday radiation while enjoying a high quality belly band. vest Anti-Radiation Belly Band keeps your baby safe, complements your figure, is silky soft, comfortable to wear, anti-bacterial, air penetrable, and water resistant.

vest Anti-Radiation Belly Band provides your baby maximum protection:

Reduces radiation by up to 100%

FCC certified laboratories tested and proven

So treat your baby and you to the high quality and safe Belly Band you deserve.

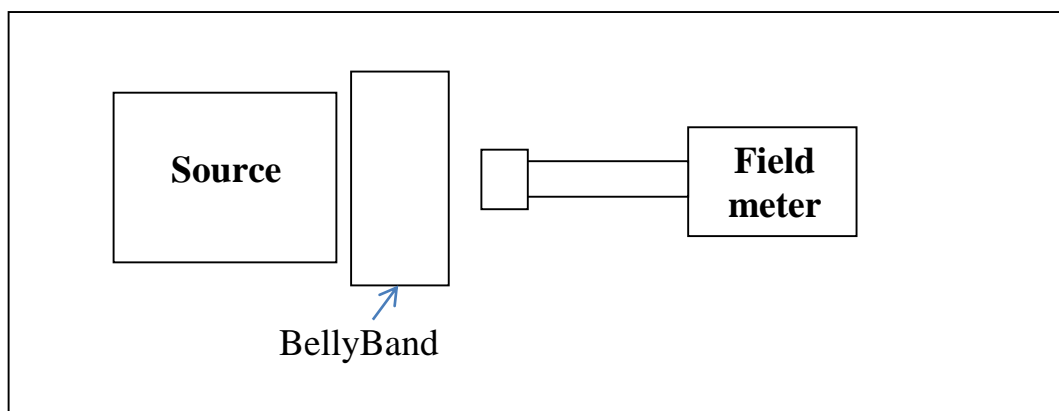
How does it work?

The inner layer of the product is 100% Polyamide, successfully blocking radiation. The outer layer is 97% Modal Fabric, a semi-synthetic cellulose fiber, 3% polyester.

#### Specifications

- Reduces radiation by up to 100%
- FCC Certified Laboratories tested and proven
- Complementing you figure
- Comfortable to wear
- Silky soft
- Anti-bacterial
- Air penetrable
- Water resistant
- A contemporary and organic design
- Available in various sizes (S-XL)
- Available in colors black and white
- Eco-friendly recyclable packaging

### 2.2. Tested Configuration.





**2.3. List of Equipment used in the tests**

No	Description	Model	S.N.	Manufactured by:
Unit Under Test				
1.	EUT	BellyBand	vst118001-118099	vest tech USA LLC

**3. The global proliferation of wireless radiation is accelerating at an alarming speed.**

There are growing evidences of health risks from exposure.

Every second of the day, we’re constantly bombarded with electromagnetic waves such as those emitted from overhead cables, mobile phones, Laptop ovens, wireless devices, computers exc. The list is endless.

Hardly a month goes by these days without a new study revealing that smart phones are either A) ruining your life, or B) not. The scientific debate is heated, and far from resolved, but one thing is clear: by surrounding yourself with wireless devices with no protection, you may actually be playing Russian roulette with your life.

Every year 10,000 new cases of Glioma are diagnosed in the USA and heavy cell phone users show a 40% increased risk of developing that tumor.

Children are much more susceptible to EMF radiation Research shows that radiation penetrates more deeply into a child's head due to their thinner skulls. In fact, it was found that a child's growing body may absorb up to 10 times the radiation an adult's body absorbs.

Pregnant women are at greater risk - exposure to electromagnetic fields in uterus is correlated with health problems such as ADHD, emotional problems, asthma, obesity and possibly Autism Spectrum Disorders.

So as males who are interested in having kids sometime - Research has shown that cell phone radiation-exposed human sperm die three times faster, swim significantly more poorly, become more deformed, and develop significantly more damage to their DNA.

Countries around the world, as well as the European Parliament, are starting to set stricter EMF safety limits and advising limits and advise limiting radiation exposure for children, pregnant women, the elderly and people with compromised immune systems.

#### **4. Bellyband Radiation attenuation test procedure**

The procedure was determined in accordance with client request

##### **4.1. Home environment frequencies:**

- 4.1.1. Establishing test frequencies, in accordance with the BellyBand purpose.
- 4.1.2. Measure Electro-magnetic field strength in each test frequency.
- 4.1.3. Placing the BellyBand on its intended place.
- 4.1.4. Measure Electro-magnetic field strength in each test frequency.

##### **4.2. Microwave radiation**

- 4.2.1. Measure Electro-magnetic field strength in microwave front side.
- 4.2.2. Placing the BellyBand on its intended place.
- 4.2.3. Measure Electro-magnetic field strength in microwave front side.

##### **4.3. Laptop radiation**

- 4.3.1. Measure Electro-magnetic field strength in laptop Bottom side.
- 4.3.2. Placing the BellyBand on its intended place.
- 4.3.3. Measure Electro-magnetic field strength in laptop Bottom side.

##### **4.4. Inductive stove.**

- 4.4.1. Measure Electro-magnetic field strength on inductive stove interface.
- 4.4.2. Placing the BellyBand on its intended place.
- 4.4.3. Measure Electro-magnetic field strength on inductive stove interface.

##### **4.5. Power inlet.**

- 4.5.1. Measure Electro-magnetic field strength on power inlet.
- 4.5.2. Placing the BellyBand on its intended place.
- 4.5.3. Measure Electro-magnetic field strength on power inlet.

## 5. Test procedure pictures

### 5.1. Pic #1 – test 4.1 without the BellyBand



### 5.2. Pic #2 – test 4.1 with The BellyBand



### 5.3. Pic #3 – test 4.2 with The BellyBand



**5.4. Pic #4 – test 4.3 with The BellyBand**



**5.5. Pic #5 – test 4.4 with The BellyBand**



**5.6. Pic #6 – test 4.5 with The BellyBand**





## 6. Description of the Test Site.

Location:		10 Zarchin St. Ra'anana
Phone:		(972)-9-7711018
Fax:		(972)-9-7711019
E-Mail:		info@ordos.co.il
Open Site Ranges:		3 and 10 meter
Turntable:		2.1 x 1.6 meter with maximum loading 1500kg, distant actuation. The turntable and the tested equipment are environmentally protected.
Antenna Mast:		1 to 4 meter
Supply Voltages:		220VAC, 3 Phases, 16A from each phase; 110VAC, 3 Phases, 32A from each phase; up to 50VDC, 30A max
Shielded room:		6.2 X 4.5 X 2.5m semi-anechoic shielded room, including indoor turntable.

## 7. List of Equipment used in Test.

No.	Description	Manufacturer and Model Number	Series No.	Cal. Date
1.	Electro-magnetic Field meter	Chauvin-Arnoux C.A 43	US4111027	30.11.15

## 8. Test results.

	Frequency			
	900 MHz	1.8 GHz	2.4 GHz	3.6 GHz
<b>No Cover</b>	<b>9.9 V/M</b>	<b>12.7 V/M</b>	<b>19.8 V/M</b>	<b>25.3 V/M</b>
<b>With the BellyBand</b>	<b>1.5 V/M</b>	<b>1.8 V/M</b>	<b>0.6 V/M</b>	<b>0.6 V/M</b>
<b>Attenuation</b>	<b>85%</b>	<b>86%</b>	<b>97%</b>	<b>98%</b>

	Frequency			
	4 GHz	4.9 GHz	5 GHz	5.9 GHz
<b>No Cover</b>	<b>27.3 V/M</b>	<b>28.9 V/M</b>	<b>50.9 V/M</b>	<b>71.4 V/M</b>
<b>With the BellyBand</b>	<b>0.2 V/M</b>	<b>0.1 V/M</b>	<b>0.4 V/M</b>	<b>0.1 V/M</b>
<b>Attenuation</b>	<b>99%</b>	<b>100%</b>	<b>99%</b>	<b>100%</b>

	<u>Microwave</u>	<u>Laptop</u>	<u>Inductive Stove</u>	<u>Power inlet 230V 50Hz</u>
<b>No Cover</b>	<b>13.4 V/M</b>	<b>24 V/M</b>	<b>2.1 V/M</b>	<b>1.4 V/M</b>
<b>With the BellyBand</b>	<b>2.9 V/M</b>	<b>1.7 V/M</b>	<b>0.4 V/M</b>	<b>0.7 V/M</b>
<b>Attenuation</b>	<b>78%</b>	<b>93%</b>	<b>81%</b>	<b>50%</b>



## **9. Conclusion.**

- 9.1.** The electro-magnetic field strength attenuation of the BellyBand is up to 100%.
- 9.2.** The Standard radiation limit for Home environment is 3 V/M, The bellyband attenuation is always lower than the limit.
- 9.3.** The Microwave radiation attenuation of the BellyBand is up to 78%
- 9.4.** The Laptop radiation attenuation of the BellyBand is up to 93%
- 9.5.** The inductive stove radiation attenuation of the BellyBand is up to 81%
- 9.6.** The power inlet radiation attenuation of the BellyBand is up to 50%